

APPLICATION WORKSHOP NOTICE

Proposition 1B Goods Movement Emission Reduction Program



The San Diego Air Pollution Control District will have **MILLIONS OF DOLLARS AVAILABLE** to California truck owners to replace or repower their older, polluting, and aging diesel trucks to newer, cleaner, and more efficient equipment!

District staff will be available at the following times to provide answers and **FREE** assistance to interested owners looking to apply. Directions to workshop locations are provided on the back of this notice.

Tuesday, June 18, 2013

9 a.m. - 11 a.m.

Southwestern College Higher Education Center (Otay Mesa)

8100 Gigantic Street, Room 4500

San Diego, CA 92154

Please RSVP for this workshop at mye@otaymesa.org or at (619) 661-6111

Friday, June 21, 2013

9 a.m. - 11 a.m.

San Diego County Agriculture, Weights,
and Measures (North County Office)

151 E. Carmel Street

San Marcos, CA 92078

Wednesday, June 26, 2013

5:00 p.m. - 7:00 p.m.

Environmental Training Center

Cuyamaca College

900 Rancho San Diego Parkway, Room F-607

El Cajon, CA 92019

DON'T MISS ONE OF THE LAST OPPORTUNITIES TO APPLY FOR TRUCK FUNDING!

The solicitation for applications is tentatively scheduled for Summer of 2013

Application forms will be available at <http://www.sdapcd.org/homepage/grants/> as soon as the solicitation opens.

Originally signed hard copies of applications must be submitted via mail, delivery, or in person to:

10124 Old Grove Road, San Diego, CA 92131.

ATTN: Mobile Sources Incentives Section

NOTE: Facsimile, email, and incomplete submittals **will not be accepted.**

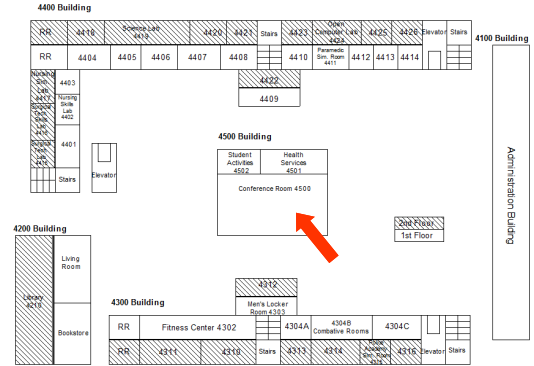
DIRECTIONS TO WORKSHOP LOCATIONS

SOUTHWESTERN COLLEGE HIGHER EDUCATION CENTER (OTAY MESA)—8100 Gigantic Street, San Diego, CA 92154

From the 5 and 805 freeways

- Take SR 905 East, exit on Britannia Blvd and make a right
- Turn left on Airway Road
- Turn left on Excellante Street
- Turn right on Gigantic Street

Free off-street parking. Parking permits are also available for purchase to park at the College parking lot.



SAN DIEGO COUNTY AGRICULTURE, WEIGHTS, AND MEASURES (NORTH COUNTY OFFICE)—151 E. Carmel Street, San Marcos, CA 92078

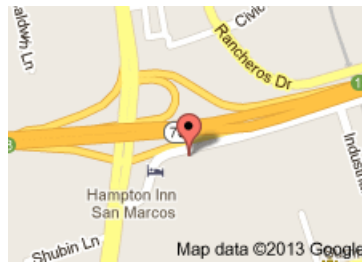
From the East

- From I-15, take CA 78 West
- Take the Twin Oak Valley Road exit and turn left
- Turn left onto East Carmel Street

From the West

- From I-5, take CA 78 East
- Take the Twin Oak Valley Road exit and turn right
- Turn left onto East Carmel Street

You may park at the building's parking lot.



CUYAMACA COLLEGE, ENVIRONMENTAL TRAINING CENTER—900 Rancho San Diego Parkway, El Cajon, CA 92019

From CA 94 freeway

- Coming East on CA 94, continue onto Jamacha Road
- Turn Left onto Fury Lane
- Turn Left onto Rancho San Diego Parkway

Parking permits are available for \$2 dollars at Student Lot 1.

